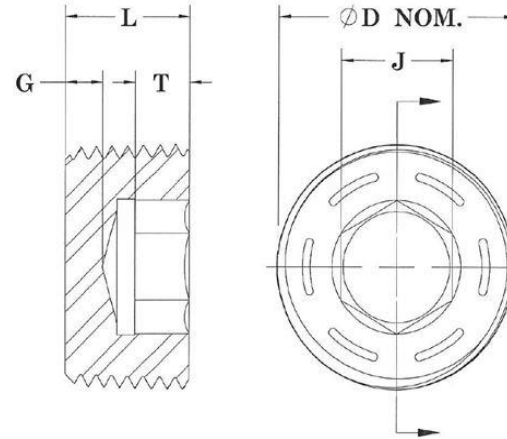


Socket Pipe Plugs

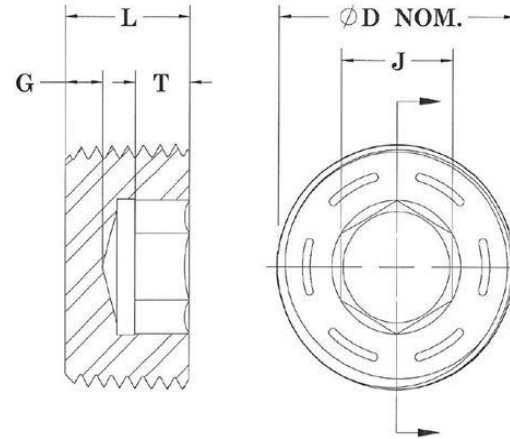


3/4" Taper N.P.T.F

Hexagon Socket Dry Seal Pressure Plugs 3/4" Taper

Normal Size	Nominal O.D	Threads Per Inch	Hexagon Socket Size Nominal	Key Engagement Minimum	Wall Thickness Minimum	Length			Tightening Torque (Inch-Lbs)
						Nominal	Maximum	Minimum	
1/16	0.312	27	5/32	0.140	0.062	5/16	0.324	0.300	150
1/8	0.405	27	3/16	0.140	0.062	5/16	0.324	0.300	250
1/4	0.540	18	1/4	0.218	0.073	7/16	0.457	0.417	600
3/8	0.675	18	5/16	0.250	0.084	1/2	0.520	0.480	1200
1/2	0.840	14	3/8	0.312	0.095	9/16	0.583	0.542	1800
3/4	1.050	14	9/16	0.312	0.125	5/8	0.645	0.605	3000
1"	1.315	11.1/2	5/8	0.375	0.125	3/4	0.770	0.730	4200
1.1/4	1.660	11.1/2	3/4	0.437	0.156	13/16	0.832	0.792	5400
1.1/2	1.900	11.1/2	1"	0.437	0.156	13/16	0.843	0.780	6900
2"	2.375	11.1/2	1"	0.437	0.156	7/8	0.906	0.844	8500

Socket Pipe Plugs

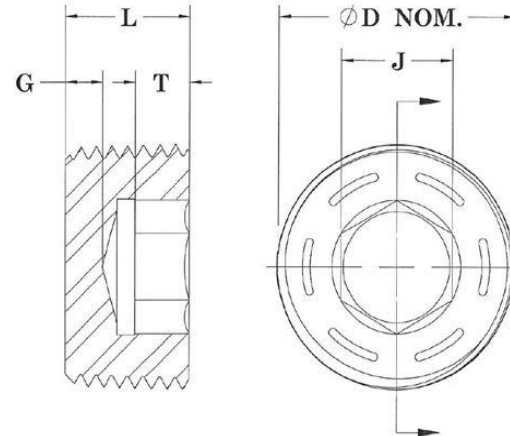


7/8" Taper N.P.T.F

Hexagon Socket Flush Seal Pressure Plugs 7/8" Taper

Normal Size	Nominal O.D (D)	Threads Per Inch	Hexagon Socket Size Nominal (J)	Key Engagement Minimum (T)	Wall Thickness Minimum (G)	Overall Length (L)		Tightening Torque (Inch-Lbs)
						Maximum	Minimum	
1/16	0.307	27	5/32	0.140	0.052	0.250	0.235	150
1/8	0.401	27	3/16	0.140	0.049	0.250	0.235	250
1/4	0.529	18	1/4	0.218	0.045	0.406	0.391	600
3/8	0.667	18	5/16	0.250	0.040	0.406	0.391	1200
1/2	0.830	14	3/8	0.312	0.067	0.531	0.516	1800
3/4	1.041	14	9/16	0.312	0.154	0.531	0.516	3000
1"	1.302	11.1/2	5/8	0.360	0.112	0.656	0.641	4200
1.1/4	1.647	11.1/2	3/4	0.360	0.102	0.656	0.641	5400
1.1/2	1.885	11.1/2	3/4	0.360	0.102	0.656	0.641	-

Socket Pipe Plugs



3/4" Taper B.S.P.T

Hexagon Socket B.S.P.T Pressure Plugs 3/4" Taper

Normal Size	Nominal O.D (D)	Threads Per Inch	Hexagon Socket Size Nominal (J)	Key Engagement Minimum (T)	Wall Thickness Minimum (G)	Nominal Overall Length (L)
1/8	0.399	28	3/16	0.183	0.076	0.375
1/4	0.538	19	1/4	0.245	0.107	0.500
3/8	0.679	19	5/16	0.276	0.139	0.563
1/2	0.853	14	3/8	0.339	0.170	0.688
5/8	0.933	14	1/2	0.370	0.170	0.500
3/4	1.072	14	9/16	0.370	0.232	0.815
1"	1.332	11	5/8	0.558	0.232	1.000
1.1/4	1.703	11	3/4	0.677	0.300	1.250
1.1/2	1.933	11	3/4	0.677	0.300	1.250