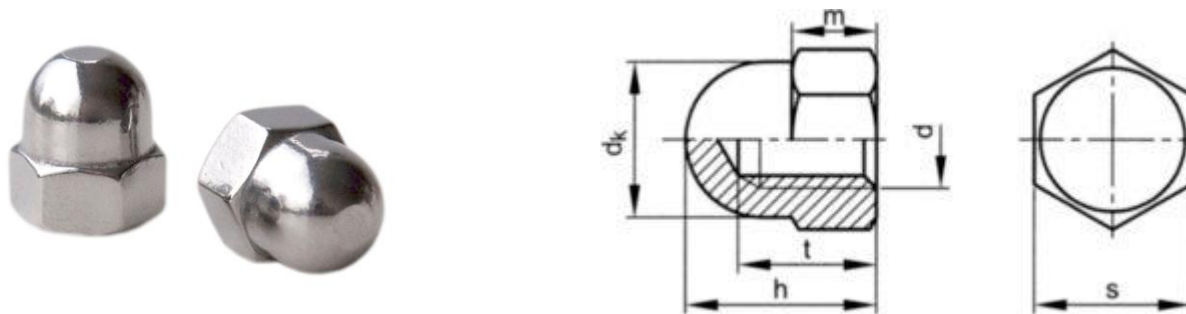


Dome Nuts Din 1587



d	dk (Max)	h	m (Max)	s	t
M3	5	6.5	2.5	5.5	4.5
M4	6.5	8	3.2	7	5.5
M5	7.5	10	4	8	7.5
M6	9.5	12	5	10	8
M8	12.5	15	6.5	13	11
M10	16	18	8	17	13
M12	18	22	10	19	16
M14	21	25	11	22	18
M16	23	28	13	24	21
M18	26	32	15	27	25
M20	28	34	16	30	26
M22	31	39	18	32	29
M24	34	42	19	36	31
M27	40	47	20	41	35
M30	42	52	24	46	38

Also known as acorn nuts, these protect the end thread of a screw and provide a decorative finish. Sizes from M3 to M30 in zinc plated steel and stainless steel. Shallower height hexagon cap nuts are also available.