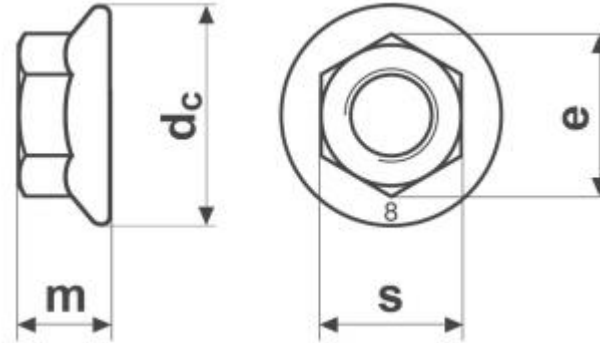


Hex Flange Nuts Plain Din 6923

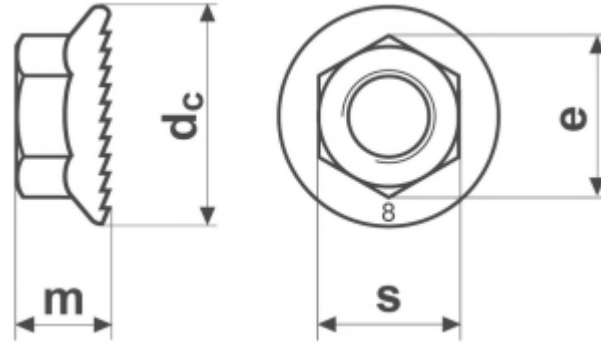


dia	m	s	e	dc
M3	4	5.5	6.01	8
M4	4.5	7	7.66	10
M5	5	8	8.79	11.8
M6	6	10	11.05	14.2
M8	8	13	14.38	17.9
M10	10	15	16.64	21.8
M12	12	18	20.03	26
M16	16	24	26.75	34.5

Flange nuts extend the bearing surface of the nut for better load carrying – plain flange nuts and serrated flange formats are available. The serrated type has an improved anti-loosening capability.

Available in various materials.

Hex Flange Nuts Serrated Din 6923



dia	m	s	e	dc
M3	4	5.5	6.01	8
M4	4.5	7	7.66	10
M5	5	8	8.79	11.8
M6	6	10	11.05	14.2
M8	8	13	14.38	17.9
M10	10	15	16.64	21.8
M12	12	18	20.03	26
M16	16	24	26.75	34.5

Flange nuts extend the bearing surface of the nut for better load carrying – plain flange nuts and serrated flange formats are available. The serrated type has an improved anti-loosening capability.

Available in various materials.