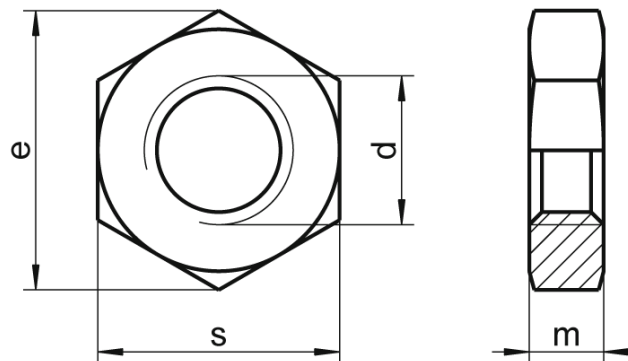


Hex Fullnuts DIN 934 (ISO 4032)



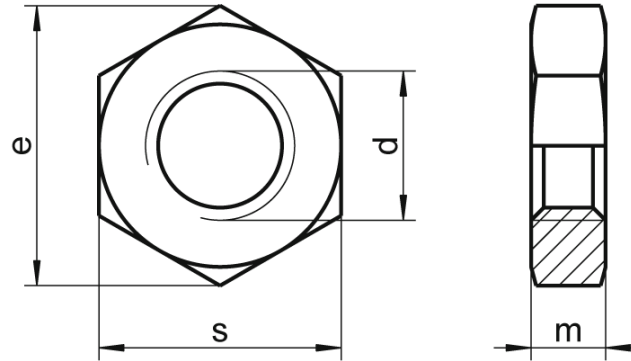
∅ d	M1.6	M2	M2.5	M3	M3.5	M4	M5	M6	M8	M10	M12
m	1	1.6	2	2.4	2.8	3.2	4	5	6.5	8	10
s	3	4	5	5.5	6	7	8	10	13	17	19
e - min	3.28	4.32	5.45	6.01	6.58	7.66	8.79	11.05	14.38	18.9	21.1

∅ d	M14	M16	M18	M20	M22	M24	M27	M30	M33	M36	M39	M42	M45	M48
m	11	13	15	16	18	19	22	24	26	29	31	34	36	38
s	22	24	27	30	32	36	41	46	50	55	60	65	70	75
e - min	24.49	26.75	29.56	32.95	35.03	39.55	45.2	50.85	55.37	60.79	66.44	71.3	76.95	82.6

Full nuts in all metric sizes to fit screws and bolts. Commonly available as cold forged parts but larger sizes are often bar turned from hexagonal bar. Available in various materials & finishes.

Tel: 01234 346242
www.challenge-europe.co.uk
sales@challenge-europe.co.uk

Hex Locknuts DIN 439 (ISO 4036)



∅	M4	M5	M6	M8	M10	M12	M14	M16	M20	M24	M30	M33	M36	M39	M42	M45	M48
m	3.2	4	5	6.5	8	10	11	13	16	19	24	26	29	31	34	36	38
s	7	8	10	13	17	19	22	24	30	36	46	50	55	60	65	70	75
e - min	7.66	8.79	11.05	14.38	18.9	21.1	24.49	26.75	32.95	39.55	50.85	55.37	60.79	66.44	71.3	76.95	82.6

Locknuts – otherwise referred to as half nuts or jam nuts.
Available in various materials & finishes.

Tel: 01234 346242
www.challenge-europe.co.uk
sales@challenge-europe.co.uk