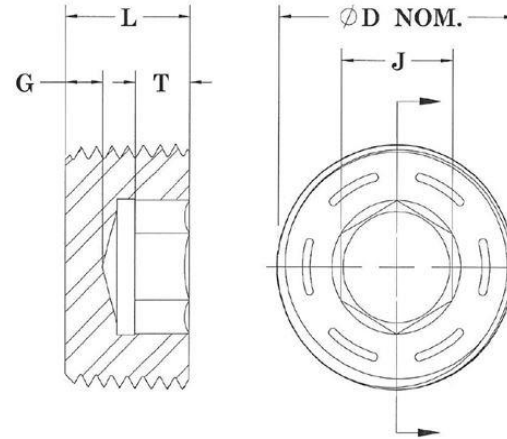


Socket Pipe Plugs



3/4" Taper N.P.T.F

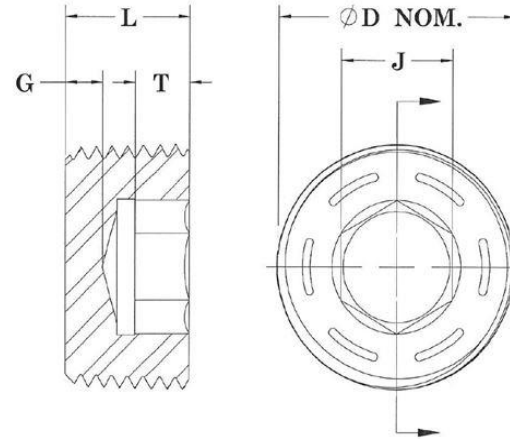
Hexagon Socket Dry Seal Pressure Plugs 3/4" Taper

| Normal Size | Nominal O.D | Threads Per Inch | Hexagon Socket Size Nominal | Key Engagement Minimum | Wall Thickness Minimum | Length | | | Tightening Torque (Inch-Lbs) |
|-------------|-------------|------------------|-----------------------------|------------------------|------------------------|---------|---------|---------|------------------------------|
| | | | | | | Nominal | Maximum | Minimum | |
| 1/16 | 0.312 | 27 | 5/32 | 0.140 | 0.062 | 5/16 | 0.324 | 0.300 | 150 |
| 1/8 | 0.405 | 27 | 3/16 | 0.140 | 0.062 | 5/16 | 0.324 | 0.300 | 250 |
| 1/4 | 0.540 | 18 | 1/4 | 0.218 | 0.073 | 7/16 | 0.457 | 0.417 | 600 |
| 3/8 | 0.675 | 18 | 5/16 | 0.250 | 0.084 | 1/2 | 0.520 | 0.480 | 1200 |
| 1/2 | 0.840 | 14 | 3/8 | 0.312 | 0.095 | 9/16 | 0.583 | 0.542 | 1800 |
| 3/4 | 1.050 | 14 | 9/16 | 0.312 | 0.125 | 5/8 | 0.645 | 0.605 | 3000 |
| 1" | 1.315 | 11.5 | 5/8 | 0.375 | 0.125 | 3/4 | 0.770 | 0.730 | 4200 |
| 1.1/4 | 1.660 | 11.5 | 3/4 | 0.437 | 0.156 | 13/16 | 0.832 | 0.792 | 5400 |
| 1.1/2 | 1.900 | 11.5 | 1" | 0.437 | 0.156 | 13/16 | 0.843 | 0.780 | 6900 |
| 2" | 2.375 | 11.5 | 1" | 0.437 | 0.156 | 7/8 | 0.906 | 0.844 | 8500 |

Taper Pressure Plugs are made to close tolerances and will seal at pressure up to 5000 psi without the use of sealing compounds.

They are often used for hydraulic and pneumatic applications.

Socket Pipe Plugs



7/8" Taper N.P.T.F

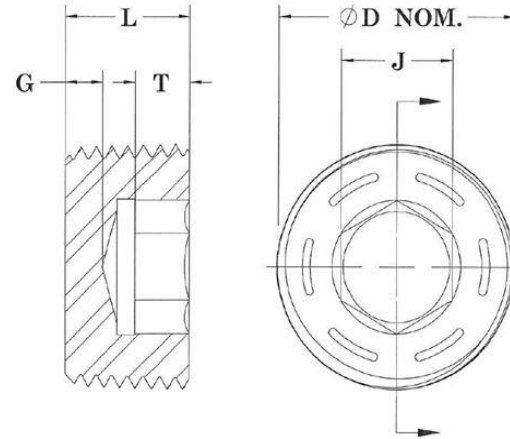
Hexagon Socket Flush Seal Pressure Plugs 7/8" Taper

| Normal Size | Nominal O.D (D) | Threads Per Inch | Hexagon Socket Size Nominal (J) | Key Engagement Minimum (T) | Wall Thickness Minimum (G) | Overall Length (L) | | Tightening Torque (Inch-Lbs) |
|-------------|-----------------|------------------|---------------------------------|----------------------------|----------------------------|--------------------|---------|------------------------------|
| | | | | | | Maximum | Minimum | |
| 1/16 | 0.307 | 27 | 5/32 | 0.140 | 0.052 | 0.250 | 0.235 | 150 |
| 1/8 | 0.401 | 27 | 3/16 | 0.140 | 0.049 | 0.250 | 0.235 | 250 |
| 1/4 | 0.529 | 18 | 1/4 | 0.218 | 0.045 | 0.406 | 0.391 | 600 |
| 3/8 | 0.667 | 18 | 5/16 | 0.250 | 0.040 | 0.406 | 0.391 | 1200 |
| 1/2 | 0.830 | 14 | 3/8 | 0.312 | 0.067 | 0.531 | 0.516 | 1800 |
| 3/4 | 1.041 | 14 | 9/16 | 0.312 | 0.154 | 0.531 | 0.516 | 3000 |
| 1" | 1.302 | 11.5 | 5/8 | 0.360 | 0.112 | 0.656 | 0.641 | 4200 |
| 1.1/4 | 1.647 | 11.5 | 3/4 | 0.360 | 0.102 | 0.656 | 0.641 | 5400 |
| 1.1/2 | 1.885 | 11.5 | 3/4 | 0.360 | 0.102 | 0.656 | 0.641 | - |

Taper Pressure Plugs are made to close tolerances and will seal at pressure up to 5000 psi without the use of sealing compounds.

They are often used for hydraulic and pneumatic applications.

Socket Pipe Plugs



3/4" Taper B.S.P.T

Hexagon Socket B.S.P.T Pressure Plugs 3/4" Taper

| Normal Size | Nominal O.D (D) | Threads Per Inch | Hexagon Socket Size Nominal (J) | Key Engagement Minimum (T) | Wall Thickness Minimum (G) | Nominal Overall Length (L) |
|-------------|-----------------|------------------|---------------------------------|----------------------------|----------------------------|----------------------------|
| 1/8 | 0.399 | 28 | 3/16 | 0.183 | 0.076 | 0.375 |
| 1/4 | 0.538 | 19 | 1/4 | 0.245 | 0.107 | 0.500 |
| 3/8 | 0.679 | 19 | 5/16 | 0.276 | 0.139 | 0.563 |
| 1/2 | 0.853 | 14 | 3/8 | 0.339 | 0.170 | 0.688 |
| 5/8 | 0.933 | 14 | 1/2 | 0.370 | 0.170 | 0.500 |
| 3/4 | 1.072 | 14 | 9/16 | 0.370 | 0.232 | 0.815 |
| 1" | 1.332 | 11 | 5/8 | 0.558 | 0.232 | 1.000 |
| 1.1/4 | 1.703 | 11 | 3/4 | 0.677 | 0.300 | 1.250 |
| 1.1/2 | 1.933 | 11 | 3/4 | 0.677 | 0.300 | 1.250 |

Taper Pressure Plugs are made to close tolerances and will seal at pressure up to 5000 psi without the use of sealing compounds.

They are often used for hydraulic and pneumatic applications.