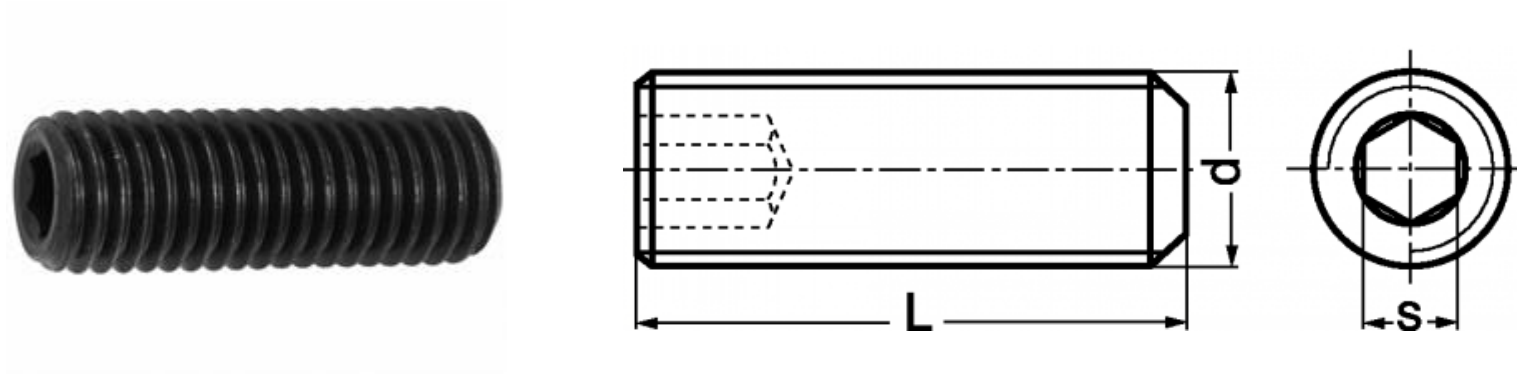


Socket Setscrews Flat Point DIN 913

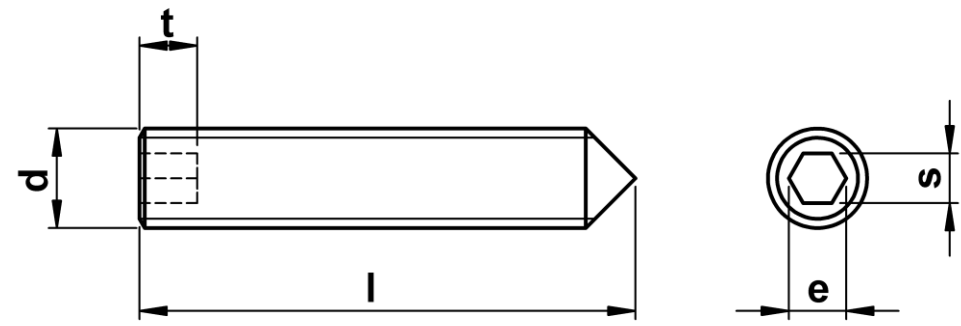


d	M3	M4	M5	M6	M8	M10	M12	M16
s	1.5	2	2.5	3	4	5	6	8
L	LENGTH OF SCREW							

A **Setscrew** is a type of screw generally used to secure an object within or against another object normally not using a nut.

Setscrews are usually headless, meaning that the screw is fully threaded and has no head projecting past the major diameter of the screw thread.

Socket Setscrews Cone Point DIN 914

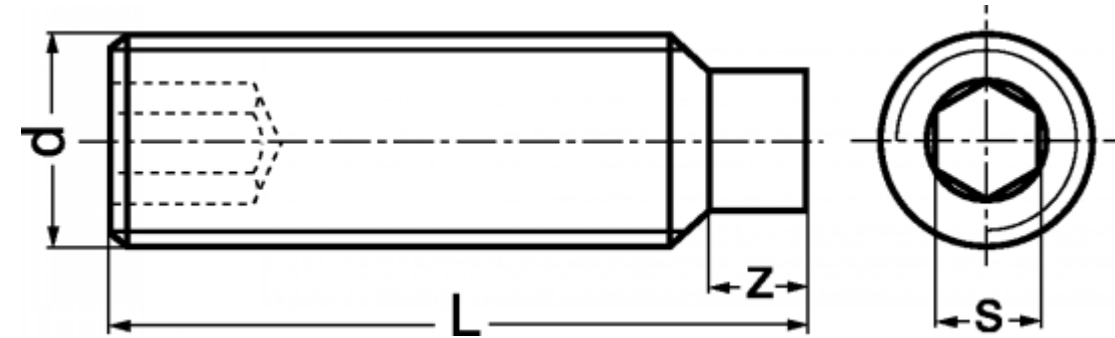


d	M3	M4	M5	M6	M8	M10	M12	M16	M20	M24
s	1.5	2	2.5	3	4	5	6	8	10	12
t	1.5/2.0	1.5/2.5	2.0/3.0	2.0/3.5	3.0/5.0	4.0/6.0	4.8/8.0	6.4/10.0	8.0/12.0	10.0/15.0
l	LENGTH OF SCREW									

A **Setscrew** is a type of screw generally used to secure an object within or against another object normally not using a nut.

Setscrews are usually headless, meaning that the screw is fully threaded and has no head projecting past the major diameter of the screw thread.

Socket Setscrews Dog Point DIN 915

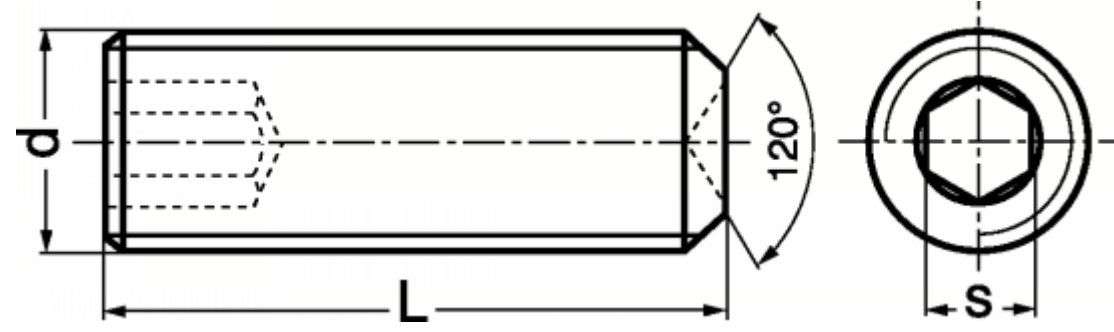


d	M3	M4	M5	M6	M8	M10	M12	M16	M20	M24
s	1.5	2	2.5	3	4	5	6	8	10	12
L	LENGTH OF SCREW									

A **Setscrew** is a type of screw generally used to secure an object within or against another object normally not using a nut.

Setscrews are usually headless, meaning that the screw is fully threaded and has no head projecting past the major diameter of the screw thread.

Socket Setscrews Cup Point DIN 916



d	M1.4	M1.6	M2	M2.5	M3	M4	M5	M6	M8	M10	M12	M14	M16	M20	M22	M24
s	0.7	0.7	0.9	1.3	1.5	2.0	2.5	3.0	4.0	5.0	6.0	6.0	8.0	10	12	12
L	LENGTH OF SCREW															

A **Setscrew** is a type of screw generally used to secure an object within or against another object normally not using a nut.

Setscrews are usually headless, meaning that the screw is fully threaded and has no head projecting past the major diameter of the screw thread.