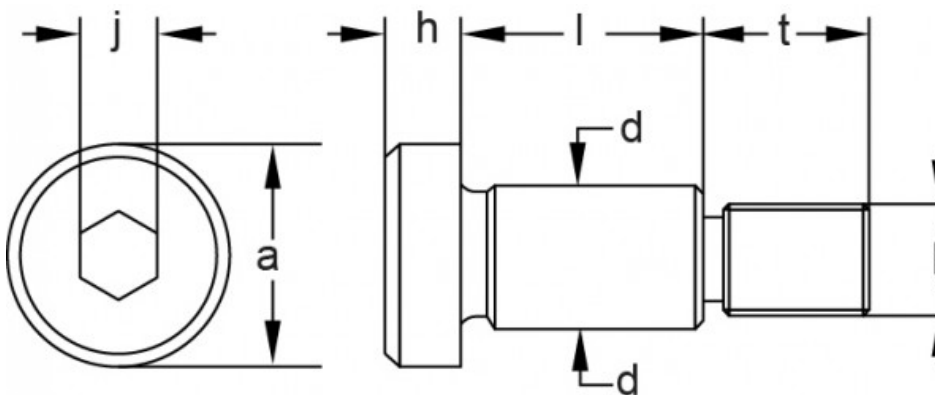


Socket Shoulder Screws



Basic Shoulder Diameter	D1		D		Head Diameter (A)		Head Height (H)		J Hex Socket Size	E Thread length
	Thread Size	Thread Pitch	Max	Min	Max	Min	Max	Min		
6	M5	0.80	5.999	5.960	10.00	9.78	4.50	4.32	3	9.75
8	M6	1.00	7.987	7.951	13.00	12.73	5.50	5.32	4	11.25
10	M8	1.25	9.987	9.951	16.00	15.73	7.00	6.78	5	13.25
12	M10	1.50	11.984	11.941	18.00	17.73	9.00	8.78	6	16.40
16	M12	1.75	15.984	15.941	24.00	23.67	11.00	10.73	8	18.40
20	M16	2.00	19.980	19.928	30.00	29.67	14.00	13.73	10	22.40
24	M20	2.50	23.980	23.928	36.00	35.61	16.00	15.73	12	27.40

Socket Shoulder Screws offer a precision ground shoulder for accurate location with a hexagonal drive socket head.