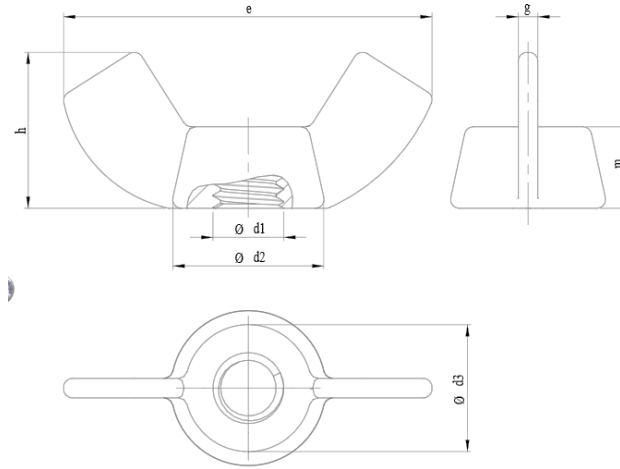


Wing Nuts (American Type)



dia	e	m	h	d2
M3	17.6	2.9	8.6	8
M4	17.6	2.9	8.6	8
M5	22.5	4.1	11	10.3
M6	27.8	5.1	13.6	12.7
M8	30.3	5.6	14.8	13.8
M10	36.2	6.8	17.3	16.5
M12	49.4	9	22.3	22.5
M14	52.7	10	30.8	26
M16	58.3	10.7	30.8	26.6
M18	66.5	12.2	31.2	29.3
M20	66.5	12.2	31.2	29.3

Also known as fly nuts they are popular for light duty quick assembly / disassembly applications in shop fitting, toys, bicycles etc. where tools are not always available.

Available in various materials.