

KORREX Hexagon Nut Caps

The recent developed KORREX Nut Caps, which offer the advantages referred to below, will undoubtedly find wide use in all branches of industry.

These KORREX Nut Caps convert any hexagon nut into a Dome Nut without modifying the existing assembly or connection.

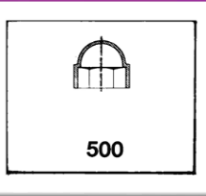
The Nut Cap merely has to be pressed over the flats of the nut after the connection has been assembled.

Advantages:-

- Dome Nuts are no longer necessary;
- The thread is sealed;
- Both bolt and nut are protected;
- Protection against corrosion;
- Saving weight;
- Protection against accidents;
- Simple assembly;
- Attractive appearance;
- The Nut Caps can be used over and over again.

Important:

The KORREX Nut Caps, used in conjunction with KORREX Insulating Bushes and DUBO Retaining Rings, guarantee reliable insulation of bolted connections, at the same time securing the nut and bolt against loosening.



By simple application to any hexagon nut, the effect of a Dome nut is obtained.

KORREX Nut Caps can be used in conjunction with:

- **KORREX Insulating Bushes**
- **DUBO Retaining Rings**



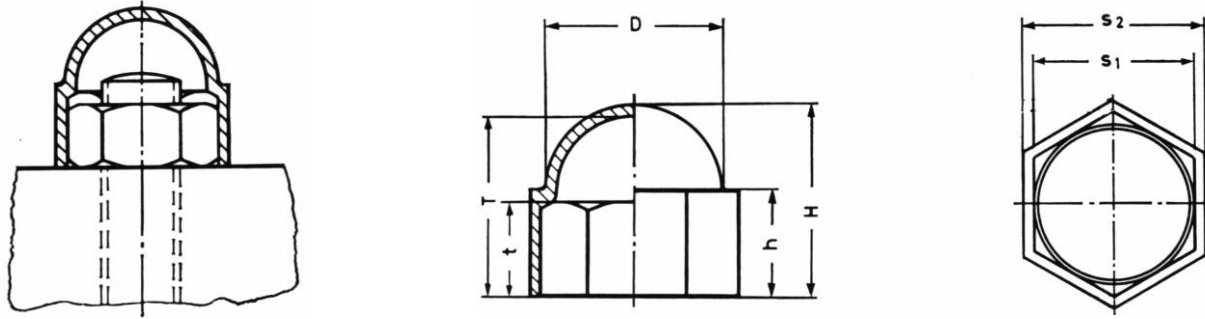
Tel: 01234 346242
www.challenge-europe.co.uk
sales@challenge-europe.co.uk



KORREX Hexagon Nut Caps



Dimensions:



(Dimensions in mm)

suitable for hexagon nuts				H	h	T	t	D	S ₁	S ₂	Weight kg/1000
Part No.	S.I.	W.W.	S.W.								
504	M 4	5/32"	7	8.1	4.8	6.5	3.8	7.6	6.8	8.6	0.175
505	M 5		8	10.8	6.9	9.2	5.3	9.5	7.8	9.8	0.30
506	M 6		10	13.3	6.9	12	6	11	9.8	11.6	0.57
507	M 7	1/4"	11	14.2	7.4	12.4	6.5	12	10.8	12.5	0.63
508	M 8		13	15.3	8	13.6	7.4	14.3	12.8	15	0.76
510	M 10	3/8"	17	20.5	10.3	18.5	9.5	18	16.7	18.8	1.25
512	M 12	7/16"	19	22	11.5	20	10.6	20.2	18.7	20.8	1.51
514	M 14	1/2"	22	24.5	13	22.5	12	23.5	21.7	24.3	2.1
516	M 16	9/16"	24	28	15.1	25.7	14	26	23.7	26.5	4.0
520	M 20		30	34	18	31	16.5	32	29.8	33	5.0
522	M 22	3/4"	32	37	19	34	17.5	34	31.8	35	7.6
524	M 24	7/8"	36	41	20	38	18.5	38	35.8	39.5	10.0
527	M 27	1"	41	47	22	44	20.5	43	40.8	44.5	14.5
530	M 30	1.1/8"	46	52	24	49	22.5	48	45.8	49.5	16.5
533	M 33	1.1/4"	50	57.5	36	52.5	30.5	53	49	54	28.4
536	M 36	1.3/8"	55	62.2	38	62.4	36	57	55.5	58.7	28.4

TEMPERATURE RANGE: -50°C to +110°C

MATERIAL: Polyethylene

AVAILABLE IN THE FOLLOWING COLOURS: BLACK, WHITE and GREY. State colour when ordering.



Tel: 01234 346242

www.challenge-europe.co.uk

sales@challenge-europe.co.uk

KORREX Round Nut Caps

The recent developed KORREX Nut Caps, which offer the advantages referred to below, will undoubtedly find wide use in all branches of industry.

These KORREX Nut Caps convert any hexagon nut into a Dome Nut without modifying the existing assembly or connection.

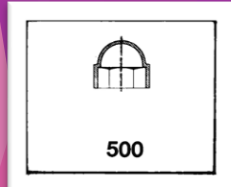
The Nut Cap merely has to be pressed over the flats of the nut after the connection has been assembled.

Advantages:-

- Dome Nuts are no longer necessary;
- The thread is sealed;
- Both bolt and nut are protected;
- Protection against corrosion;
- Saving weight;
- Protection against accidents;
- Simple assembly;
- Attractive appearance;
- The Nut Caps can be used over and over again.

Important:

The KORREX Nut Caps, used in conjunction with KORREX Insulating Bushes and DUBO Retaining Rings, guarantee reliable insulation of bolted connections, at the same time securing the nut and bolt against loosening.



By simple application to any hexagon nut, the effect of a Dome nut is obtained.

KORREX Nut Caps can be used in conjunction with:

- KORREX Insulating Bushes
- DUBO Retaining Rings



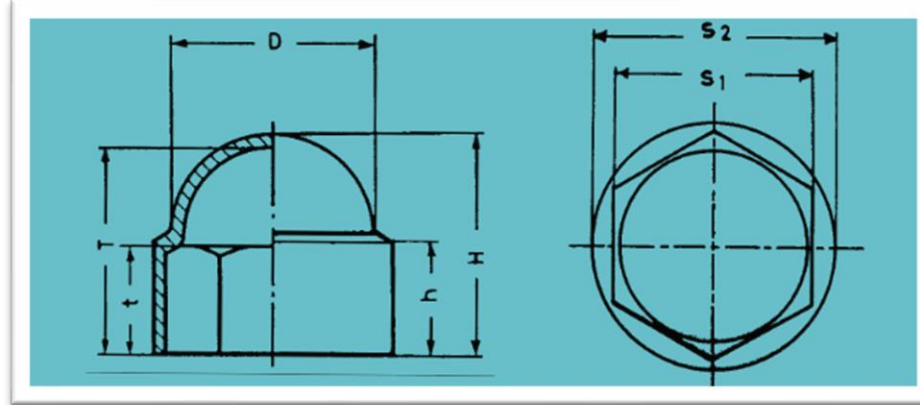
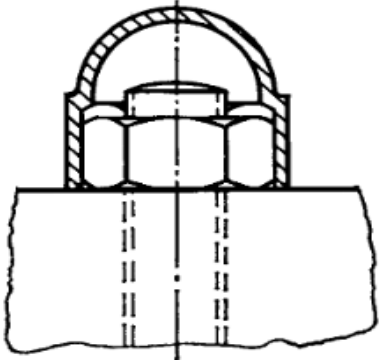
Tel: 01234 346242
www.challenge-europe.co.uk
sales@challenge-europe.co.uk



KORREX Round Nut Caps



Dimensions:



(Dimensions in mm)

Part No.	Suitable for hexagon nuts		H	h	T	t	D	S1	S2
	metric threads	Width across flats							
506/R	M 6	10	13.30	6.90	12.00	6.00	11.00	9.80	13.00
508/R	M 8	13	15.30	8.00	13.60	7.40	14.30	12.80	16.60
510/R	M 10	17	20.50	10.30	18.50	9.50	18.00	16.70	22.00
512/R	M 12	19	22.00	11.50	20.00	10.60	20.20	18.70	24.00
516/R	M 16	24	28.00	15.10	25.70	14.00	26.00	23.70	30.00

TEMPERATURE RANGE:- -50°C to +110°C

MATERIAL:- Polyethylene

AVAILABLE IN THE FOLLOWING COLOURS:- BLACK, WHITE and GREY. State colour when ordering.



Tel: 01234 346242
www.challenge-europe.co.uk
sales@challenge-europe.co.uk

KORREX Snapcaps

What are KORREX snapcaps?

The Korrex snapcaps is a development based on a simple method for covering fixation elements, such as bolts, nuts, rivets, self-tappers, etc....

The Korrex snapcap-combination consists of a special washer and a cap, both in plastic material. After putting the washer into place, the KORREX cap needs only to be pressed into the washer and the KORREX snap combination is complete.

Sizes and execution have been selected in a such a way that no special screws are required, neither have special provisions to be made.



Erection of the KORREX snapcap

The erection of the KORREX snapcap is very simple. The washer with the plain surface below is put on the screw whereupon the screw is fastened.

Thereafter the KORREX cap is pressed onto the washer.

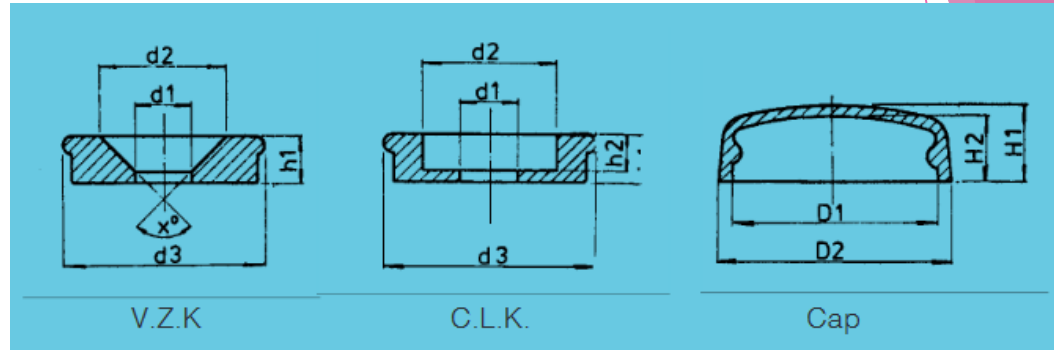
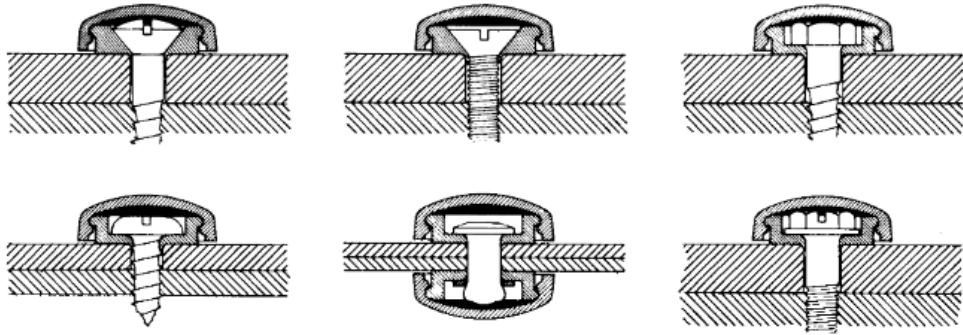
Properties of the KORREX snapcap:-

- The relatively high snap ring guarantees a correct fitting;
- On account of the universal size range, the application of the KORREX snapcap is practically unlimited;
- The KORREX snapcaps are made of U.V. stabilised plastic; consequently they are weatherproof;
- The no loss points inside the washer guarantee simple mounting under all circumstances;
- The buffer inside the washer, in combination with the perfect size range between cap and washer, guarantee excellent insulation and protection.

Advantages of the KORREX snapcaps:-

- Unlimited application possibilities
- Complete protection against corrosion
- Watertight insulation
- Electrical insulation
- Aesthetical and functional execution of the product
- Special fixation elements, such as those made of stainless steel or brass, are no longer necessary.
- Protection of surface coatings such as enamel, lacquer, etc...
- Very simple mounting; special provisions are not necessary.

KORREX Snapcaps



(Dimensions in mm)

Part.No.	Metric	Type	d1	d2	d3	h1	h2	X	D1	D2	H1	H2	packing unit pcs.
1704010000000	M 4	Cap							11,00	12,50	5,40	4,40	500
1704020000004	M 4	V.Z.K.	4,10	8,00	10,50	3,80		90,00					500
1704030000001	M 4	C.L.K.	4,10	8,00	10,50		3,00						500
1705010000000	M 5	Cap							13,00	15,00	6,50	5,50	500
1705020000004	M 5	V.Z.K.	5,10	10,00	12,70	4,50		90,00					500
1705030000001	M 5	C.L.K.	5,10	10,00	12,70		3,50						500
1706010000000	M 6	Cap							15,30	17,50	8,30	7,00	500
1706020000004	M 6	V.Z.K.	6,10	12,00	15,00	6,00		90,00					500
1706030000001	M 6	C.L.K.	6,10	12,00	15,00		4,50						500
1708010000000	M 8	Cap							18,50	20,80	8,60	7,40	500
1708020000004	M 8	V.Z.K.	8,20	16,00	18,30	6,20		90,00					500
1708010000003	M 8	C.L.K.	8,20	16,00	18,30		5,20						500

Temperature Range: -60°C to + 120°C

Material:- Rings: Nylon 6
Caps: UV Stabilized Polypropylene

Available in the following colours:-
Black, White and Grey. Other Colours can be supplied to special order.



Tel: 01234 346242
www.challenge-europe.co.uk
sales@challenge-europe.co.uk