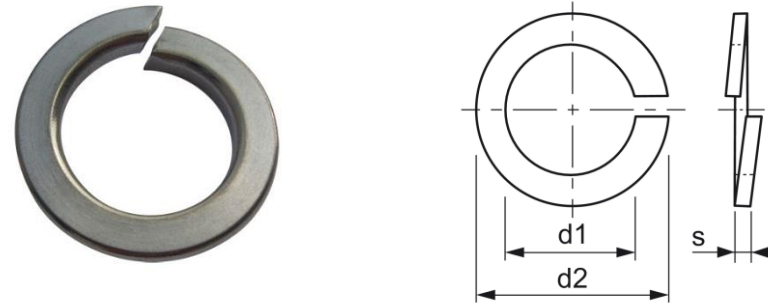


Metric Single Coil Square Section Spring Washers Din 7980

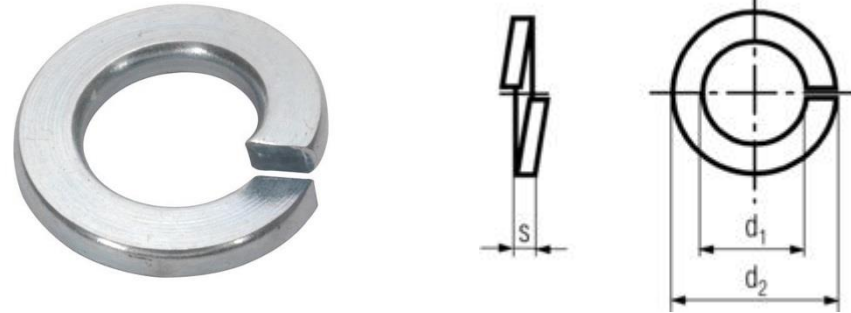


Diameter (d)	d1	d2	s
M3	3.1	5.6	1.0
M4	4.1	7	1.2
M5	5.1	8.8	1.6
M6	6.1	9.9	1.6
M8	8.1	12.7	2.0
M10	10.2	16	2.5
M12	12.2	18	2.5
M14	14.2	21.1	3.0
M16	16.2	24.4	3.5
M20	20.2	30.6	4.5

Single coil spring washers provide a turning resistance and a loading between the substrate and the nut of a screw assembly.

Available in various materials and finishes

Metric Single Coil Rectangular Section Spring Washers Din 127 B



Diameter (d)	d1	d2	s
M4	4.1	7.6	0.9
M5	5.1	9.2	1.2
M6	6.1	11.8	1.6
M8	8.1	14.8	2.0
M10	10.2	18.1	2.2
M12	12.2	21.1	2.5
M14	14.2	24.1	3.0
M16	16.2	27.4	3.5
M20	20.2	33.6	4.0
M24	24.5	40	5.0

Single coil spring washers provide a turning resistance and a loading between the substrate and the nut of a screw assembly.

Available in various materials and finishes

Tel: 01234 346242
www.challenge-europe.co.uk
sales@challenge-europe.co.uk